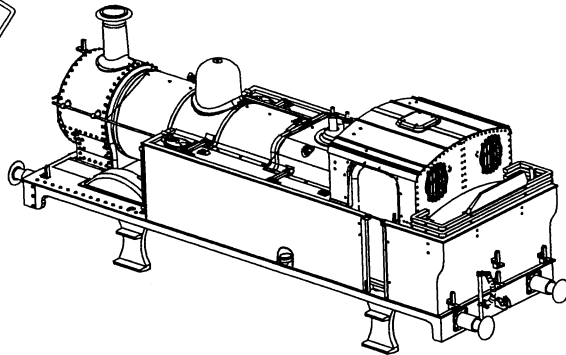
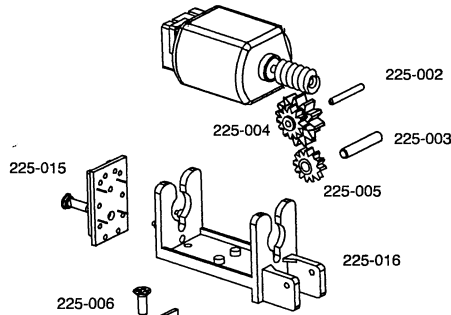




CLASS 3F JINTY LOCOMOTIVE



225-001



225-002

225-004

225-003

225-015

225-005

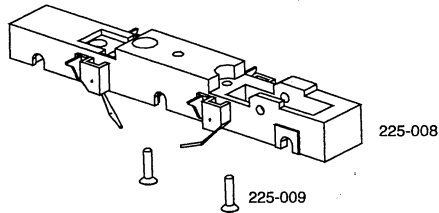
225-016

225-006

225-007

IMPORTANT!

WHEN ORDERING ANY REPLACEMENT PARTS PLEASE ENSURE TO QUOTE THE APPROPRIATE CATALOGUE NUMBER/LIVERY OF YOUR BACHMANN LOCOMOTIVE, IN ADDITION TO THE NUMBER OF THE PART REQUIRED.

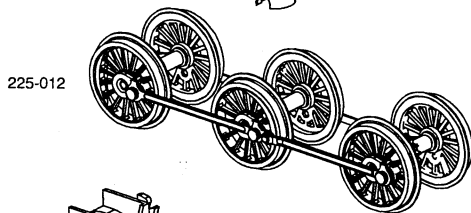


225-008

225-009

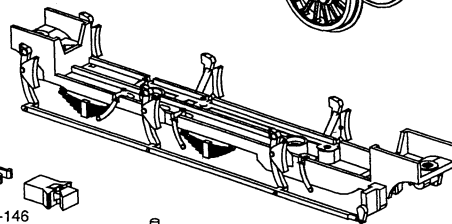
225-010

225-011



225-012

PLEASE NOTE WE WOULD LIKE TO BRING YOUR ATTENTION TO RUNNING-IN WHICH IS NECESSARY WITH THIS TYPE OF DRIVE. RUN FOR APPROXIMATELY ONE HOUR TO ALLOW WORKING PARTS TO BED-IN. LIGHTLY OIL THE MOTOR BEARINGS AND GEARS WHEN REQUIRED.



225-013

BL1998 -1

150-146

225-014

150-146

BL1998 -1

*Artwork of
Jinty
17 Sept 04*

20/9/04