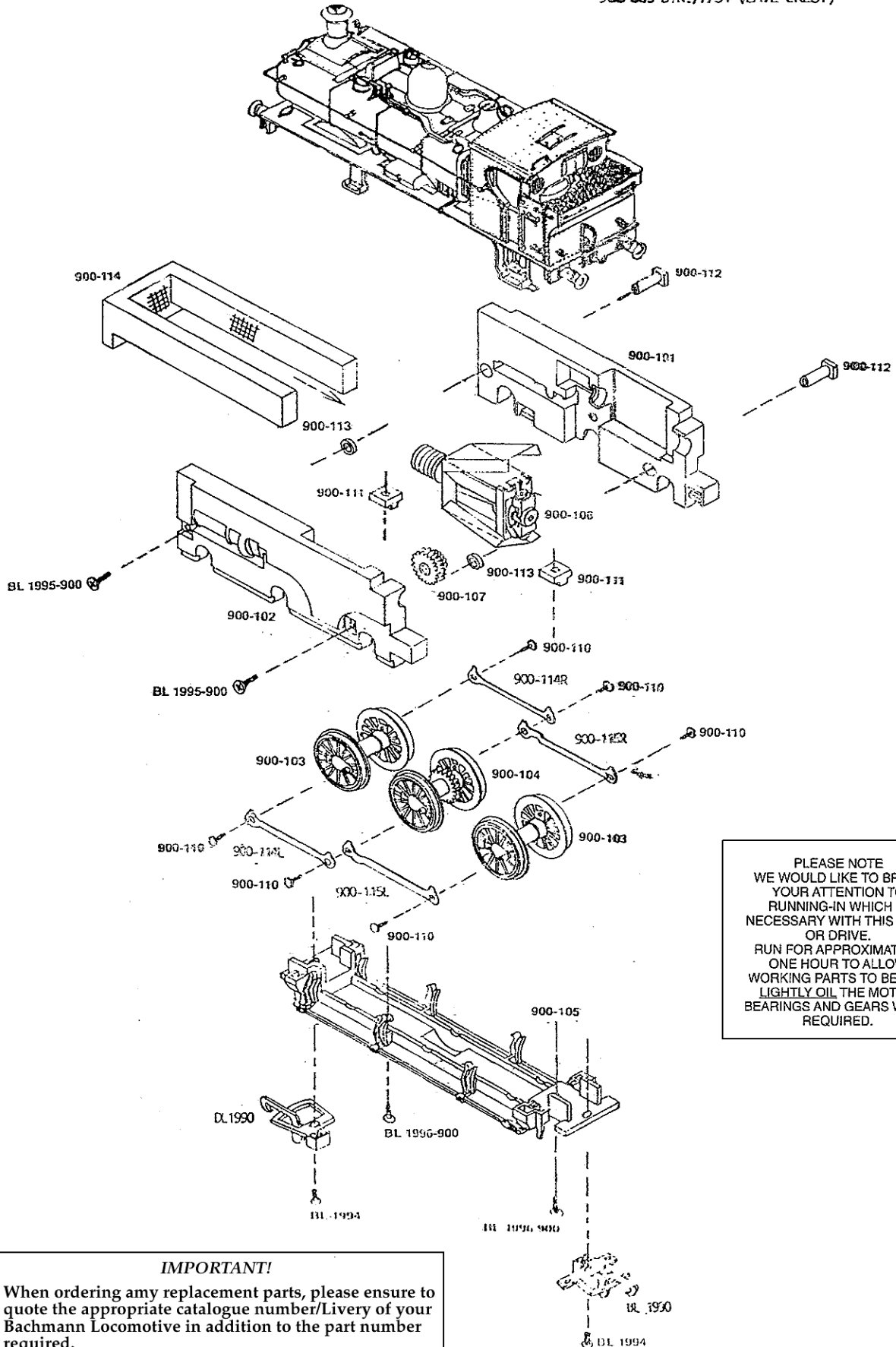


0-6-0 PT 57XX

LOCO CODE : 900-001 GREAT WESTERN/7760
900-002 B.R./5796 (EARLY CREST)
900-003 B.R./7754 (LATE CREST)



PLEASE NOTE
WE WOULD LIKE TO BRING
YOUR ATTENTION TO
RUNNING-IN WHICH IS
NECESSARY WITH THIS TYPE
OR DRIVE.
RUN FOR APPROXIMATELY
ONE HOUR TO ALLOW
WORKING PARTS TO BED-IN.
LIGHTLY OIL THE MOTOR
BEARINGS AND GEARS WHEN
REQUIRED.

IMPORTANT!
When ordering any replacement parts, please ensure to quote the appropriate catalogue number/Livery of your Bachmann Locomotive in addition to the part number required.
Please quote the running number as well if required