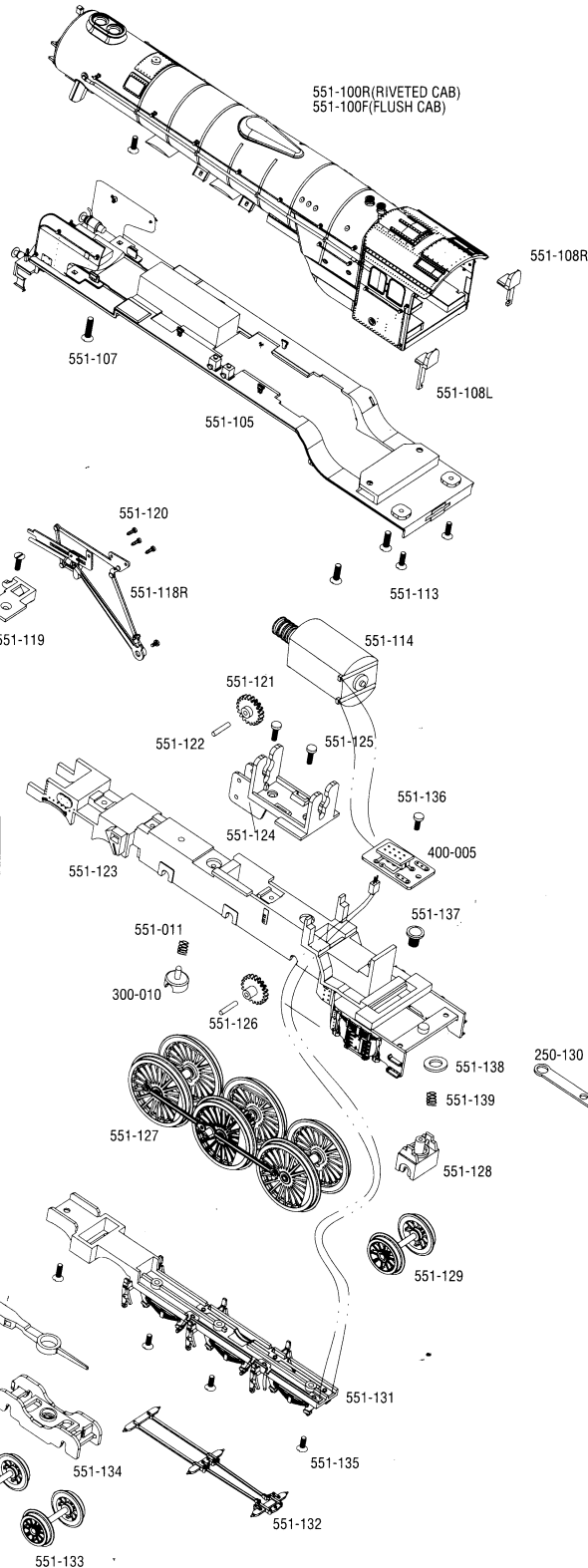




CLASS A1 LOCOMOTIVE



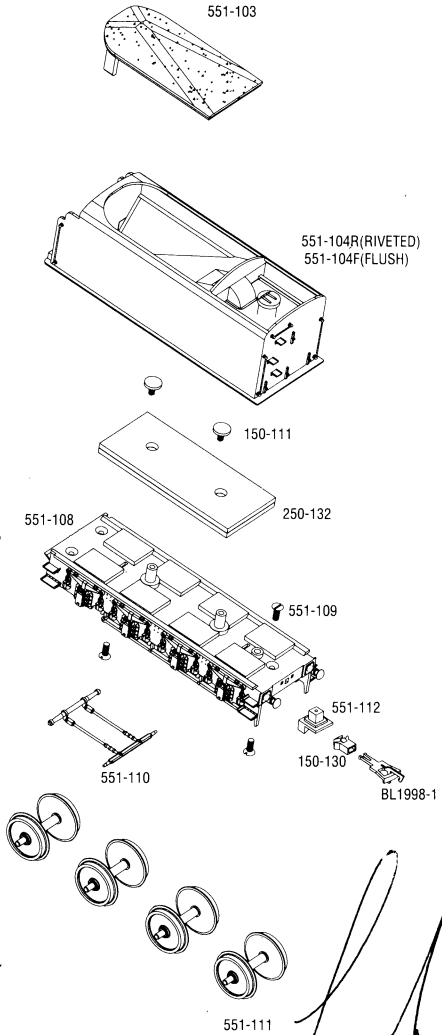
IMPORTANT!

WHEN ORDERING ANY REPLACEMENT PARTS PLEASE ENSURE TO QUOTE THE APPROPRIATE CATALOGUE NUMBER/LIVERY OF YOUR BACHMANN LOCOMOTIVE, IN ADDITION TO THE NUMBER OF THE PART REQUIRED.

PLEASE NOTE

WE WOULD LIKE TO BRING YOUR ATTENTION TO RUNNING-IN WHICH IS NECESSARY WITH THIS TYPE OF DRIVE.

RUN FOR APPROXIMATELY ONE HOUR TO ALLOW WORKING PARTS TO BED-IN. LIGHTLY OIL THE MOTOR BEARINGS AND GEARS WHEN REQUIRED.



[Handwritten signature]
19/5/09