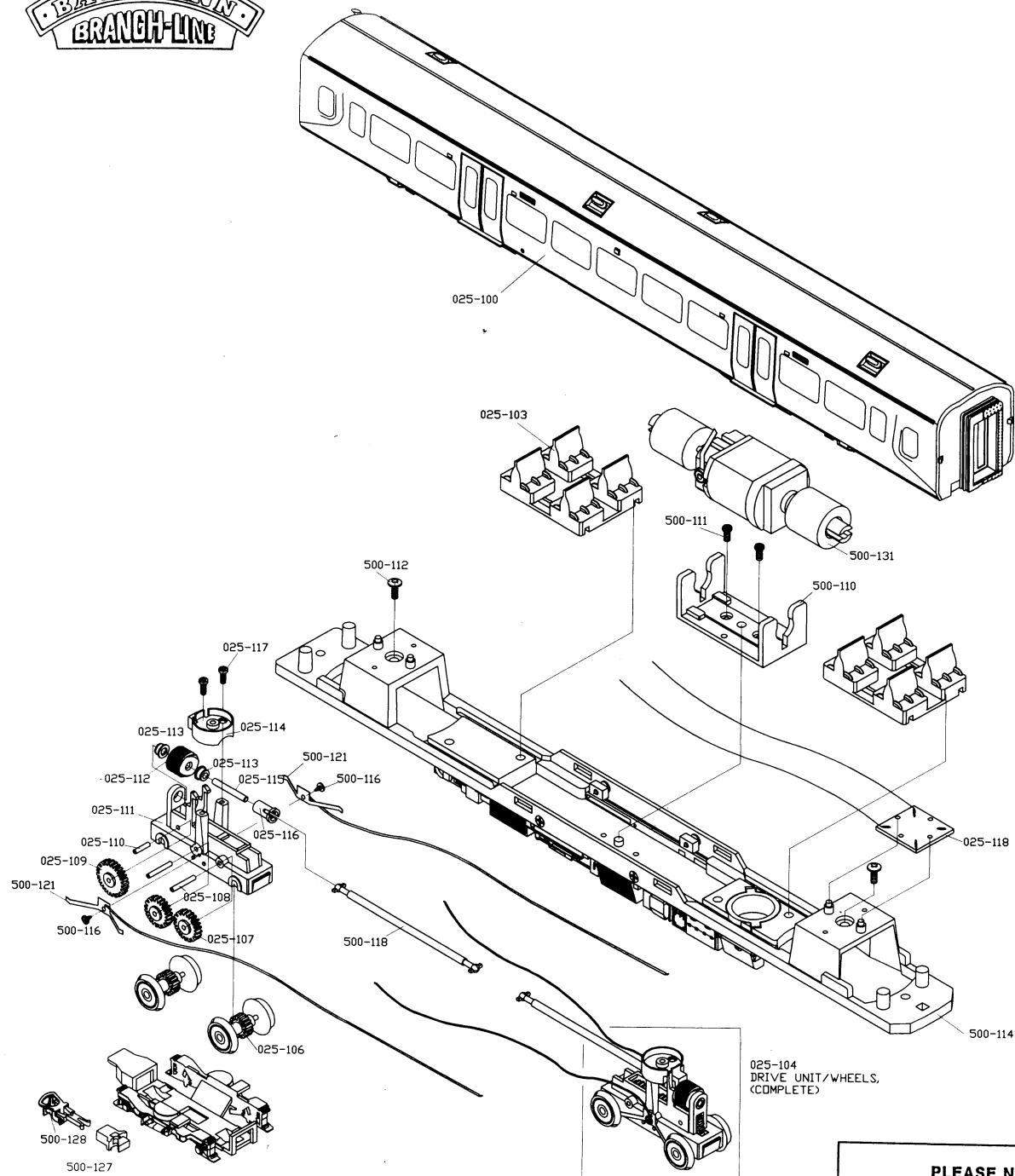




# CLASS 166, (3 CAR) DIESEL MULTIPLE UNIT

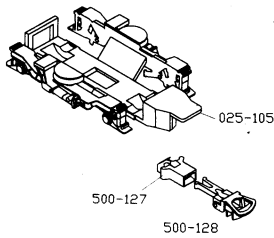


**IMPORTANT!**

WHEN ORDERING ANY REPLACEMENT PARTS PLEASE ENSURE TO QUOTE THE APPROPRIATE CATALOGUE NUMBER/LIVERY OF YOUR BACHMANN LOCOMOTIVE, IN ADDITION TO THE NUMBER OF THE PART REQUIRED. PLEASE QUOTE THE RUNNING NUMBER AS WELL IF NECESSARY.

**PLEASE NOTE**

WE WOULD LIKE TO BRING YOUR ATTENTION TO **RUNNING-IN** WHICH IS NECESSARY WITH THIS TYPE OF DRIVE. RUN FOR APPROXIMATELY ONE HOUR TO ALLOW WORKING PARTS TO BED-IN. LIGHTLY OIL THE MOTOR BEARINGS AND GEARS WHEN REQUIRED.



*At work on  
Car 2/5/06 ob. 5.5*