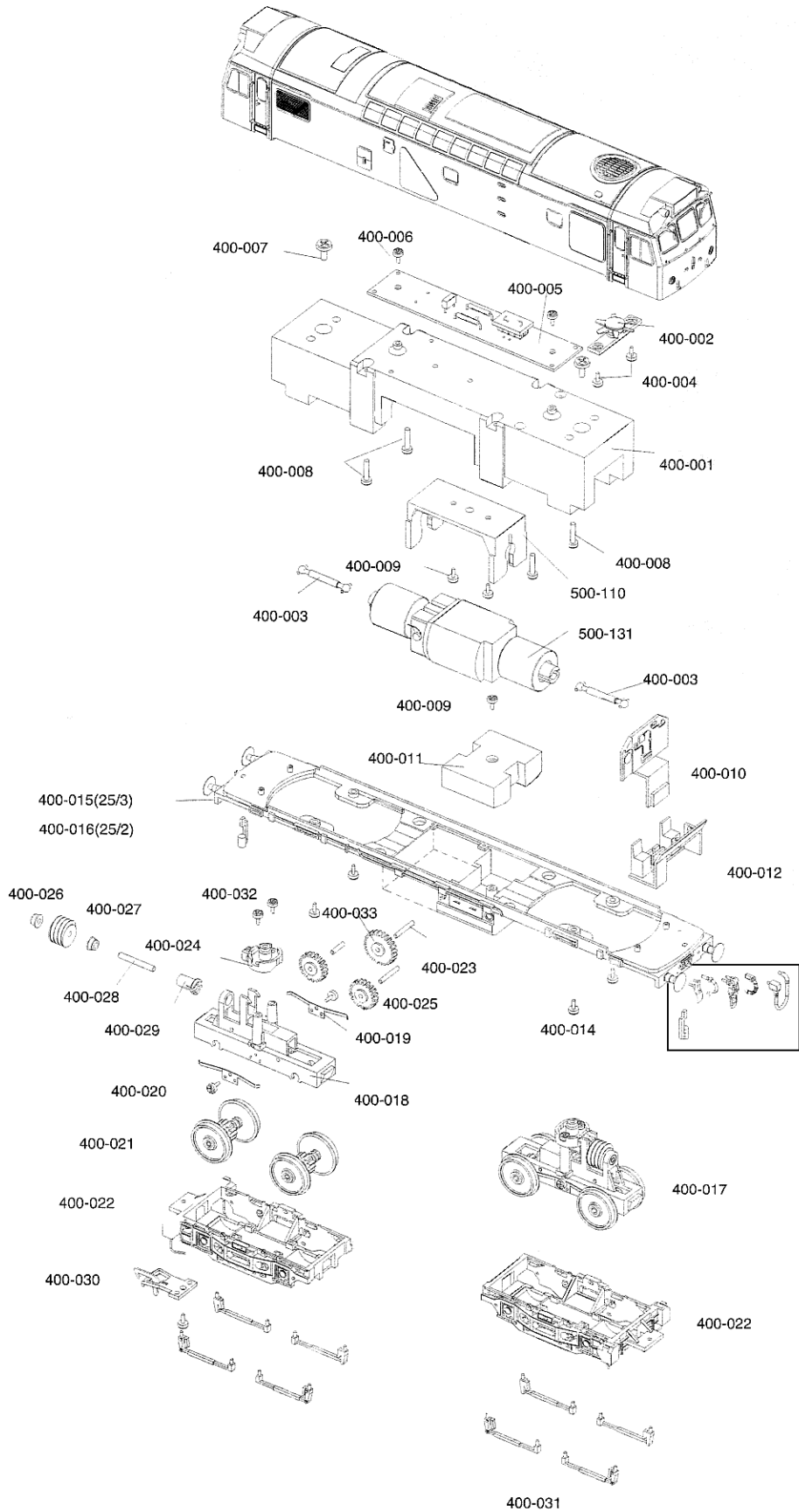


CLASS 25 DIESEL LOCOMOTIVE



OPTIONAL
ACCESSORIES
PARTS, SUPPLIED
SEPARATELY,
400-013

PLEASE NOTE
WE WOULD LIKE TO BRING
YOUR ATTENTION TO
RUNNING-IN WHICH IS
NECESSARY WITH THIS TYPE
OR DRIVE.
RUN FOR APPROXIMATELY
ONE HOUR TO ALLOW
WORKING PARTS TO BED-IN.
LIGHTLY OIL THE MOTOR
BEARINGS AND GEARS WHEN
REQUIRED.