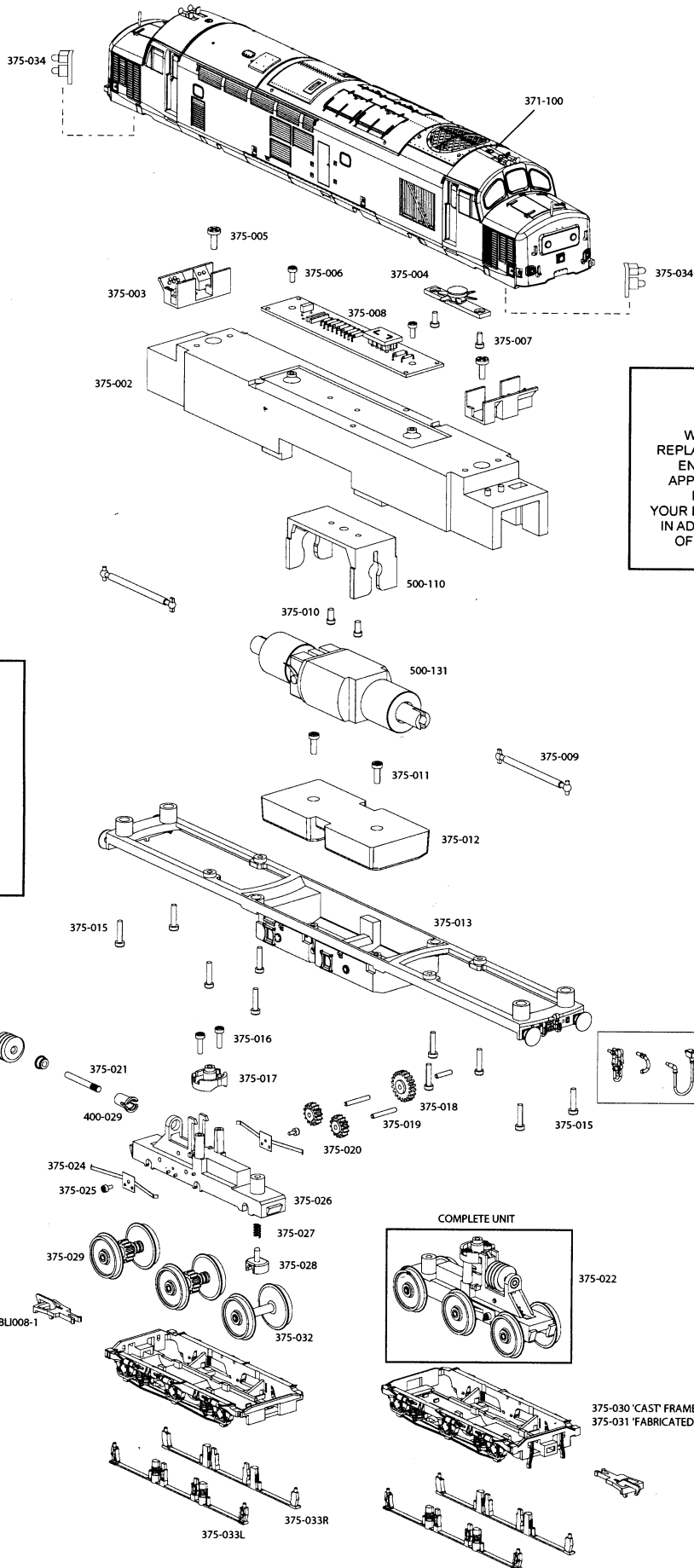




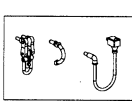
# CLASS 37 DIESEL LOCOMOTIVE

D NO 04

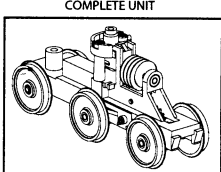


**IMPORTANT!**  
 WHEN ORDERING ANY REPLACEMENT PARTS PLEASE ENSURE TO QUOTE THE APPROPRIATE CATALOGUE NUMBER/LIVERY OF YOUR BACHMANN LOCOMOTIVE. IN ADDITION TO THE NUMBER OF THE PART REQUIRED.

PLEASE NOTE WE WOULD LIKE TO BRING YOUR ATTENTION TO RUNNING - IN WHICH IS NECESSARY WITH THIS TYPE OF DRIVE. RUN FOR APPROXIMATELY ONE HOUR TO ALLOW WORKING PARTS TO BED - IN. LIGHTLY OIL THE MOTOR BEARINGS AND GEARS WHEN REQUIRED.



375-014  
 OPTIONAL ACCESSORIES PARTS, SUPPLIED SEPARATELY.



375-022

375-030 'CAST' FRAMES  
 375-031 'FABRICATED' FRAMES

Canus  
 6-NOV-02