

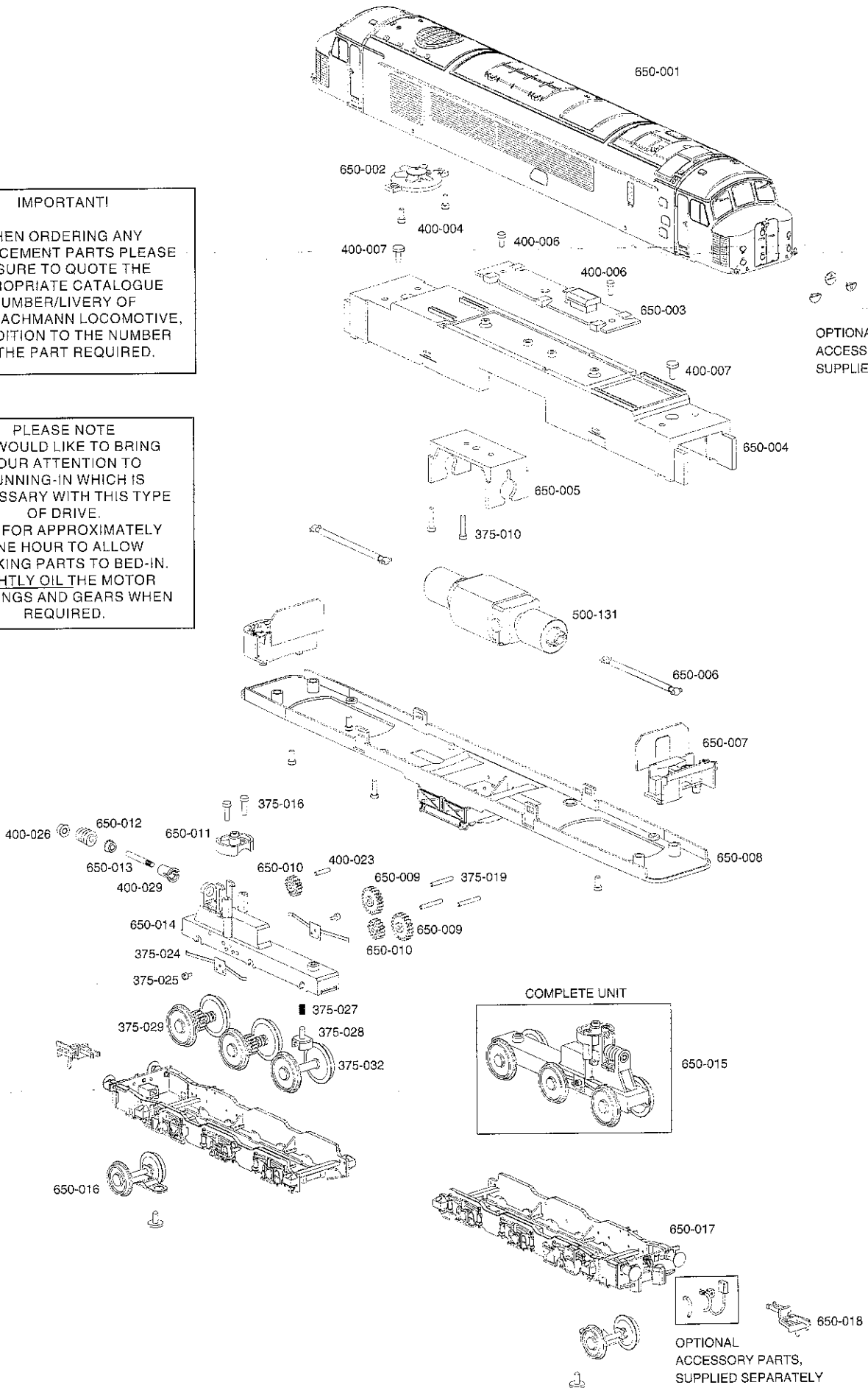
# CLASS 44 DIESEL LOCOMOTIVE

**IMPORTANT!**

WHEN ORDERING ANY REPLACEMENT PARTS PLEASE ENSURE TO QUOTE THE APPROPRIATE CATALOGUE NUMBER/LIVERY OF YOUR BACHMANN LOCOMOTIVE, IN ADDITION TO THE NUMBER OF THE PART REQUIRED.

PLEASE NOTE WE WOULD LIKE TO BRING YOUR ATTENTION TO RUNNING-IN WHICH IS NECESSARY WITH THIS TYPE OF DRIVE.

RUN FOR APPROXIMATELY ONE HOUR TO ALLOW WORKING PARTS TO BED-IN. LIGHTLY OIL THE MOTOR BEARINGS AND GEARS WHEN REQUIRED.



OPTIONAL ACCESSORY PARTS, SUPPLIED SEPARATELY

OPTIONAL ACCESSORY PARTS, SUPPLIED SEPARATELY