

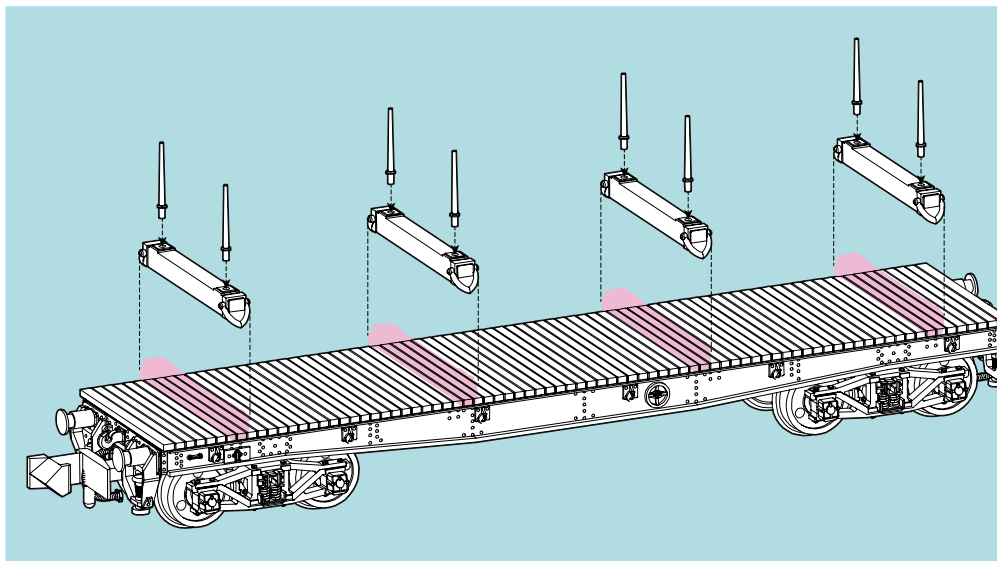
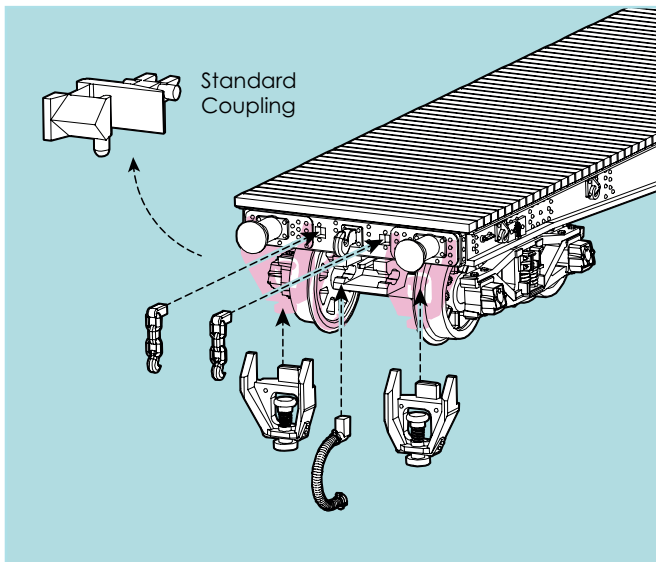
Accessories

Although our models are highly detailed and ready to run straight from the box we also supply optional accessories to be fitted by the owner if they wish.

Please note:

Fitting of Buffer Beam accessories will cause the wagon to derail if used with a standard coupling, please ensure that the standard coupling is removed before fitting accessories.

PVA based adhesive should be used for the fitting of accessories. This allows for the removal of an accessory without damaging the model.



Please note: The Bolster and Stanchion accessories are only applicable to certain prototypes and may not be included with your model.