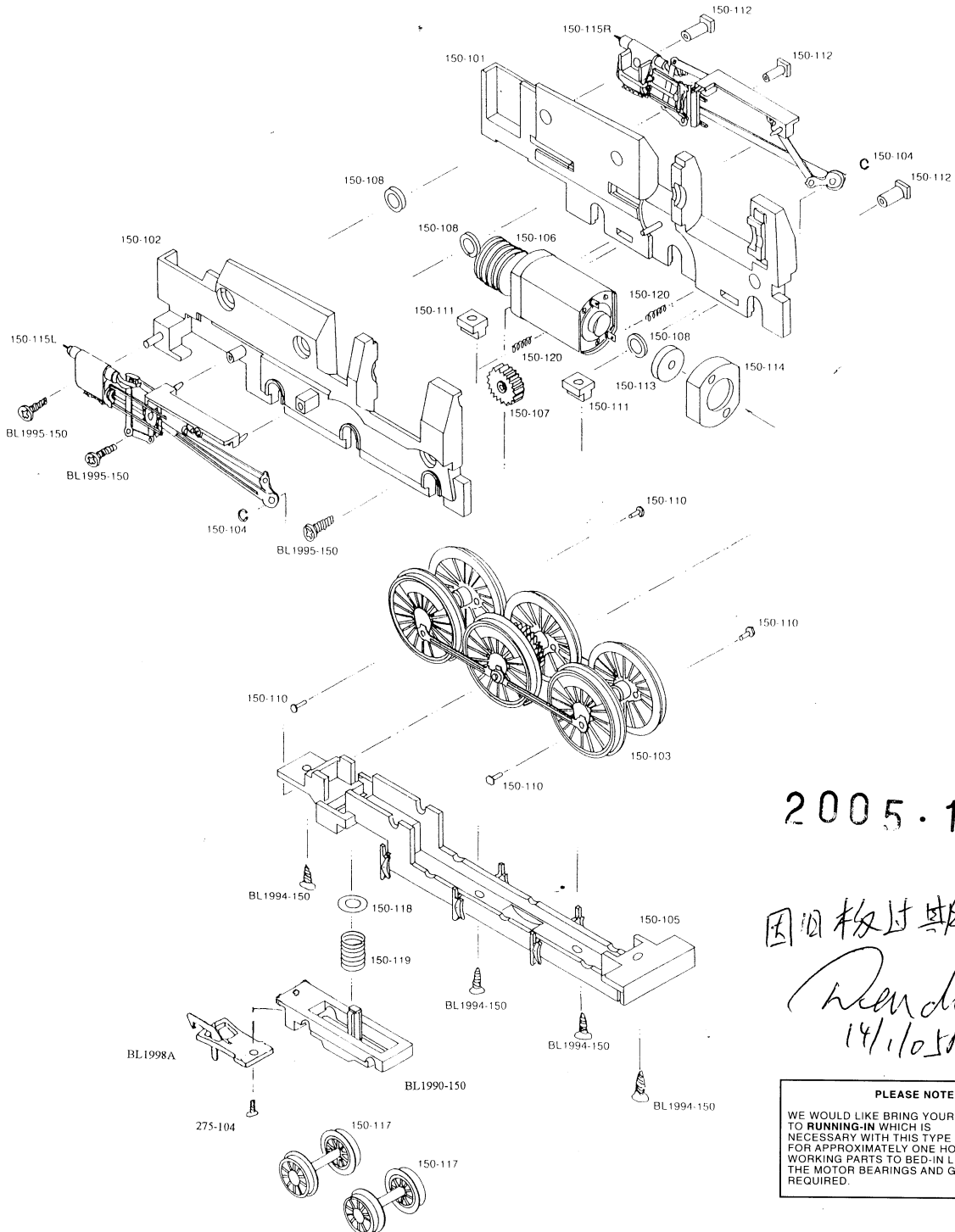
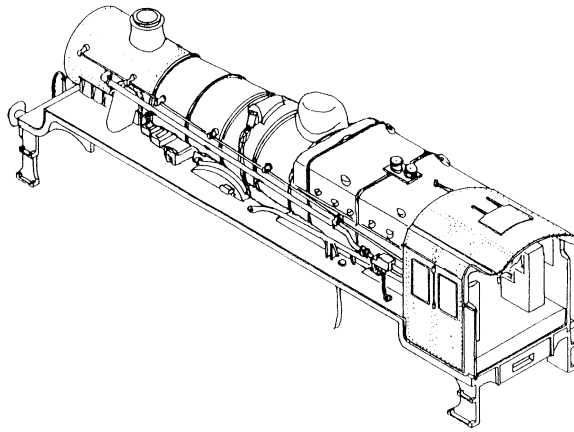


JUBILEE

D NO 04



IMPORTANT!
 WHEN ORDERING ANY REPLACEMENT PARTS PLEASE ENSURE TO QUOTE THE APPROPRIATE CATALOGUE NUMBER/LIVERY OF YOUR BACHMANN LOCOMOTIVE. IN ADDITION TO THE NUMBER OF THE PART REQUIRED.



2005.1 18

因回板时期重登
 Randy
 14/10/15

PLEASE NOTE
 WE WOULD LIKE BRING YOUR ATTENTION TO **RUNNING-IN** WHICH IS NECESSARY WITH THIS TYPE OF DRIVE. RUN FOR APPROXIMATELY ONE HOUR TO ALLOW WORKING PARTS TO BED-IN LIGHTLY OIL THE MOTOR BEARINGS AND GEARS WHEN REQUIRED.