

Thank you for your choice of the Bachmann Branchline Wickham Trolley.

Running in

The mechanism of this model requires running in (without a load) for approximately 1 hour, in each direction at moderate speed.

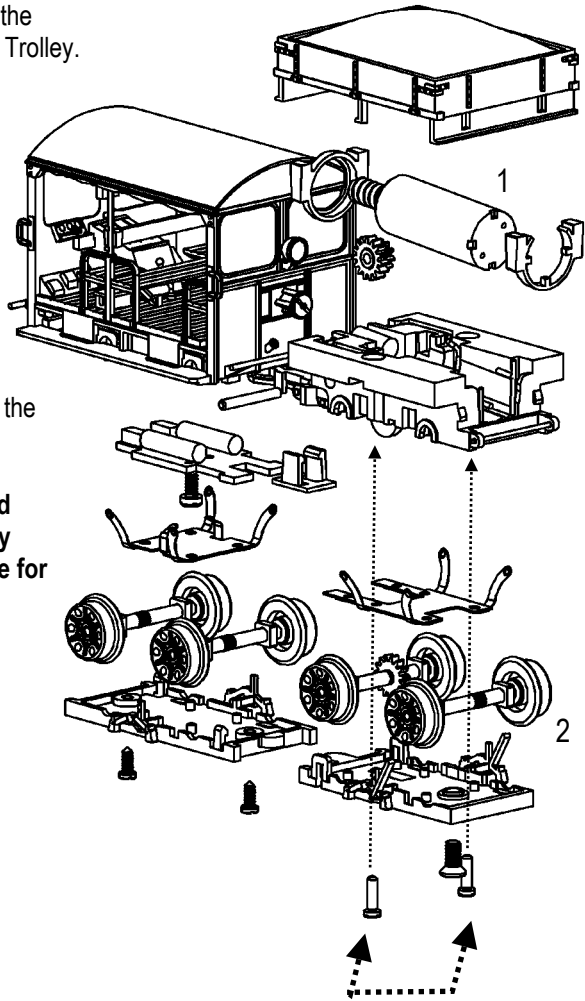
Should the baseplates be removed, ensure that the pickups are not too tight against the wheels on refitting.

The model should be handled carefully as it has many finely detailed parts. It is not suitable for persons under 14 years.

Spare Parts

- 1 Motor
- 2 Wheels

Bachmann Europe plc
 Moat Way
 Barwell
 Leicestershire
 LE9 8EY
 01455 841756
www.bachmann.co.uk



Body securing screws between wheels

E3299-IS001

IMPORTANT

Do not run the Wickham Trolley as an 'analogue' item on a DCC system (DCC Address 0, or 10 on E-Z Command) as the motor will be permanently damaged by the DCC signal